

Operating Instructions



Panasonic®

5" Electronic Viewfinder

Model No. **AW-VF80P**



Before attempting to connect or operate this product,
please read these instructions completely
and save this manual for future use.

	CAUTION RISK OF ELECTRIC SHOCK DO NOT OPEN	
<p>CAUTION: TO REDUCE THE RISK OF ELECTRIC SHOCK, DO NOT REMOVE COVER (OR BACK). NO USER SERVICEABLE PARTS INSIDE. REFER SERVICING TO QUALIFIED SERVICE PERSONNEL.</p>		



SA 1965

The lightning flash with arrowhead symbol, within an equilateral triangle, is intended to alert the user to the presence of uninsulated "dangerous voltage" within the product's enclosure that may be of sufficient magnitude to constitute a risk of electric shock to persons.



SA 1966

The exclamation point within an equilateral triangle is intended to alert the user to the presence of important operating and maintenance (servicing) instructions in the literature accompanying the appliance.

WARNING:

TO PREVENT FIRE OR SHOCK HAZARD, DO NOT EXPOSE THIS APPLIANCE TO RAIN OR MOISTURE.

For U.S.A.

NOTE: This equipment has been tested and found to comply with the limits for a Class A digital device, pursuant to part 15 of the FCC Rules. These limits are designed to provide reasonable protection against harmful interference when the equipment is operated in a commercial environment. This equipment generates, uses, and can radiate radio frequency energy and, if not installed and used in accordance with the instruction manual, may cause harmful interference to radio communications. Operation of this equipment in a residential area is likely to cause harmful interference in which case the user will be required to correct the interference at his own expense.

For CANADA

This Class A digital apparatus complies with Canadian ICES-003.

Cet appareil numérique de la classe A est conforme à la norme NMB-003 du Canada.

The information marking of this product may be found on the bottom of the product.

The serial number of this product may be found on the bottom of the product.

You should note the serial number of this unit in the space provided and retain this book as a permanent record of your purchase to aid identification in the event of theft.

Model No. _____

Serial No. _____

CONTENTS

WARNING/CAUTION FOR SAFETY	4
PREFACE	6
PRECAUTIONS	6
MAJOR OPERATING CONTROLS AND THEIR FUNCTIONS	7
MOUNTING	8
SPECIFICATIONS	10
STANDARD ACCESSORIES	11

WARNING/CAUTION FOR SAFETY



WARNING

- **Refer all servicing to qualified personnel**

To reduce the risk of electric shock, don't remove cover or back, unless you are a qualified personnel. Refer all mountings, connections, servicing to qualified service personnel.

- **No water or moisture inside**

Do not let water or moisture into the product, or expose it to moisture, to prevent a fire and electric shock.

- If you see smoke or smell an odor from the product, if water or other foreign matter gets inside, if it is damaged by dropping, or if you find anything wrong with it, immediately stop using it.

- **Do not disassemble or modify the product to prevent a fire and electric shock.**

- **Do not block the ventilation holes.**

If the ventilation holes are blocked, heat will build up inside to possibly cause a fire.

- **Do not place a glass or bottle containing water on top or near the product.**

If water spills into the product, it may cause a fire or electric shock.

- **Do not use the product in an atmosphere where a combustible gas is present.**

Use of the product in such an atmosphere may cause an explosion.

 **CAUTION**

- Do not drop the product, do not expose it to strong shock, or do not step on it, to prevent a fire and injuries.
- Do not install the product at a place full of moisture and dust, which may cause a fire and electric shock.
- Switch power off before mounting or servicing the product.
If power is not switched off, it may cause electric shock.
- Disconnect all cables before carrying the product.
There is the danger of the cables tripping the feet and causing injuries.

PREFACE

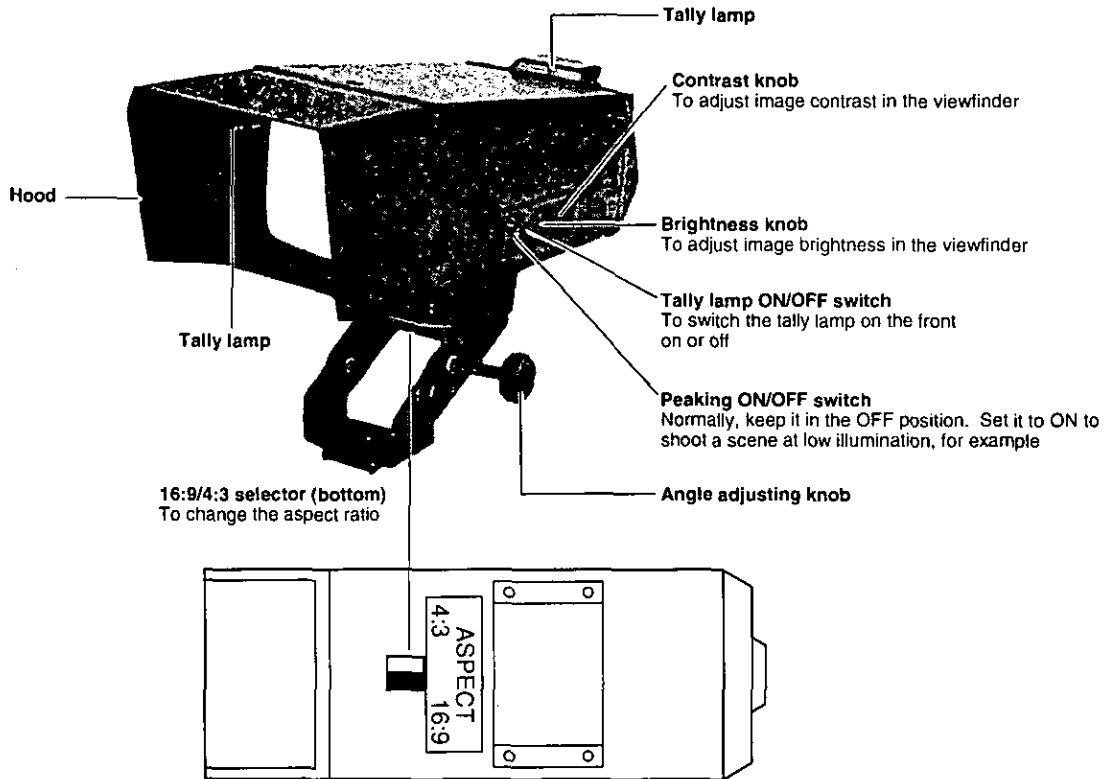
- This product, 5" electronic viewfinder with a selectable aspect ratio of 16:9 or 4:3, is used with the color video camera AW-F575 or a convertible camera (AW-E300, AW-E600 or AW-E800, for example).
- The viewfinder mounting bracket AW-Q40 is necessary to mount it on a convertible camera.
- Studio card 1 (AW-PB301) or studio card 2 (AW-PB305) is also necessary to mount it on a convertible camera.

PRECAUTIONS

- **Power Off Before Connecting or Disconnecting Cables**
Before plugging or unplugging the cables, be sure to switch power off.
- **Handle Carefully.**
Do not drop the product, or subject it to strong shock or vibration. This is important to prevent trouble.
- **Avoid Humidity and Dust.**
Avoid using the product at a humid, dusty place because much humidity and dust will cause damage to the parts inside.
- **Operating Temperature Range**
Avoid using the product at a cold place below -10°C or at a hot place above $+45^{\circ}\text{C}$ because extremely low or high temperature will adversely affect the parts inside.

The suffix P is omitted from some model numbers given in these Operating Instructions (ex.: AW-VF80P → AW-VF80).

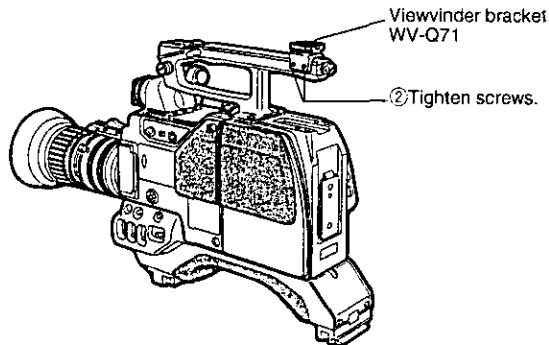
MAJOR OPERATING CONTROLS AND THEIR FUNCTIONS



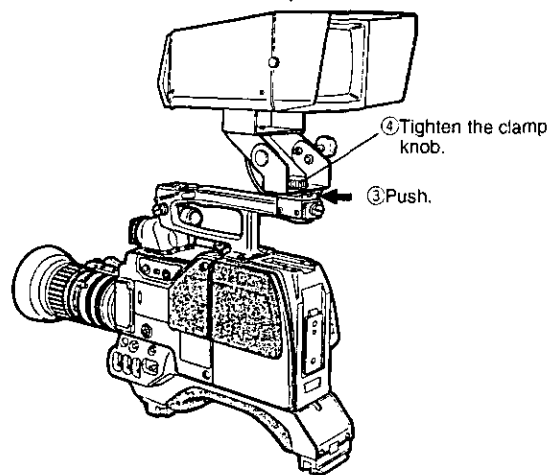
MOUNTING

■ Mounting on the AW-F575

- ① Remove the screws for the viewfinder bracket (4 screws on the grip).
- ② Fasten the viewfinder bracket (WV-Q71, option) with the removed 4 screws.



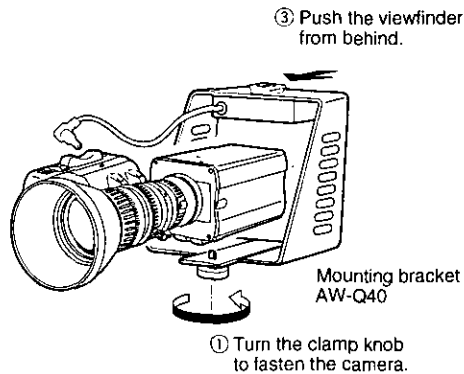
- ③ Insert the viewfinder adjusting angle of the electronic viewfinder into the viewfinder bracket.
- ④ Tighten the clamp knob.



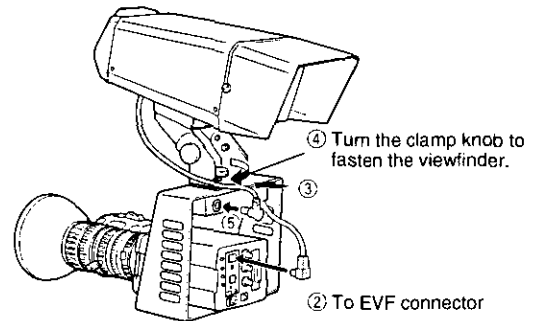
- ⑤ Connect the viewfinder cable to the viewfinder connector on the camera head.
- * Reverse the above steps to remove the viewfinder.

■ Mounting on a Convertible Camera (AW-E300, AW-E600, AW-E800, for example)

- ① Attach the camera to the mounting bracket (AW-Q40, option) and tighten the clamp knob securely.
- ② Connect the mounting bracket connector to the camera's EVF connector.
- ③ Push the viewfinder from behind to slide it into the mounting base on the bracket.



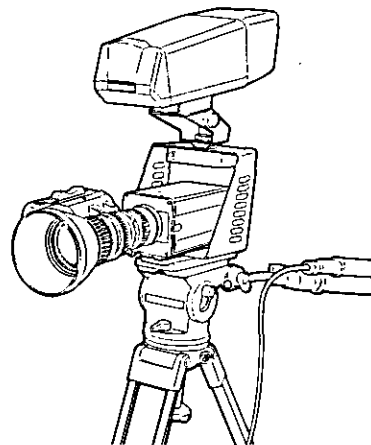
- ④ Turn the clamp knob to fasten the viewfinder securely.
- ⑤ Connect the viewfinder cable to the mounting bracket connector.



- ⑥ Insert the tripod into the tripod mounting hole (screw: 1/4"-20UNC) in the bracket.

Note:

Please read the instruction manuals for the convertible camera and the studio card AW-PB301/AW-PB305.



SPECIFICATIONS

Power supply:	12 V DC (supplied from camera)
Power consumption:	Approx. 13.2 W (12 V DC, 1.1 A)
CRT:	5-inch monochrome tube
Video input:	1.0 V(p-p) composite, high impedance
Resolution:	More than 500 lines
Deflection linearity:	10 % or less (horizontal) 5 % or less (vertical)
Deflection distortion:	2 % or less
Built-in indicator:	Tally LED

Switch functions:	Tally ON/OFF, peaking ON/OFF, aspect ratio 16:9/4:3	
Adjusters:	Contrast, brightness	
Operating temperature:	-10°C to +45°C (+14°F to +113°F)	
Operating humidity:	30 % to 90 %	
Dimensions:	156 (W) mm x 213 (H) mm x 361.5 (D) mm [6-5/32" (W) x 8-3/8" (H) x 14-7/32" (D)]	
Weight:	Approx. 2.9 kg (6.3 lbs)	
Finish:	Body:	Painted in black leather tone
	Hood:	Painted black
	Mounting angle:	Painted in black leather tone

Weight and dimensions indicated are approximate.
Specifications are subject to change without notice.

STANDARD ACCESSORIES

Tally card	2
Electronic viewfinder mounting base	1
Hood	1
Tally lamp	1
Base mounting screw (M4)	2
Hood mounting screw (M5)	2

Panasonic

PANASONIC BROADCAST & TELEVISION SYSTEMS COMPANY
DIVISION OF MATSUSHITA ELECTRIC CORPORATION OF AMERICA

Executive Office:

3330 Cahuenga Blvd W., Los Angeles, CA 90068 (323) 436-3500

EASTERN ZONE:

One Panasonic Way 4E-7, Secaucus, NJ 07094 (201) 348-7621

Mid-Atlantic/New England:

One Panasonic Way 4E-7, Secaucus, NJ 07094 (201) 348-7621

Southeast Region:

1225 Northbrook Parkway, Ste 1-160, Suwanee, GA 30024 (770) 338-6835

Central Region:

1707 N Randall Road E1-C-1, Elgin, IL 60123 (847) 468-5200

WESTERN ZONE:

3330 Cahuenga Blvd W., Los Angeles, CA 90068 (323) 436-3500

Dallas Region:

6226 Abington Way, Houston, TX 77008 (713) 802-2726

No. CA/Northwest Region:

5870 Stoneridge, #3, Pleasanton, CA 94588 (925) 416-5108

Government Marketing Department:

52 West Gude Drive, Rockville, MD 20850 (301) 738-3840

Panasonic Canada Inc.

5770 Ambler Drive, Mississauga, Ontario, L4W 2T3 (905) 624-5010

Panasonic Sales Company

Division of Matsushita Electric of Puerto Rico Inc.

San Gabriel Industrial Park, 65th Infantry Ave., Km. 9.5, Carolina, Puerto Rico 00630 (787) 750-4300